

# HD-HG-RS PUMP RANGE

HORIZONTAL END SUCTION, **MECHANICALLY SEALED**, CENTRIFUGAL PUMPS



- ∞ CAPACITY <math><300\text{ M}^3/\text{HR}</math>
- ∞ HEAD <math><60</math> Metres
- ∞ VARIOUS IMPELLER OPTIONS
- ∞ VARIOUS SEAL OPTIONS
- ∞ SOLIDS HANDLING CAPABILITY
- ∞ QUICK LEAD TIMES
- ∞ 316 STAINLESS STEEL CONSTRUCTION

Part of the  
**STAINLESS STEEL**  
Pump Range



HD-HG-RS



RD-RG-RC-RB



Vertical



Cantilever

## ∞ HD-HG-RS OVERVIEW

The HD-DG-RS range of horizontal, centrifugal mechanically sealed pumps are suitable for a wide variety of corrosive and arduous applications including chemical transfer, pharmaceutical and food production.

Constructed from 316 stainless steel or cast iron, with multiple impeller and seal options, this range is suitable for a vast range of applications from simple water transfer to processes with high viscosities (<math><700\text{Cp}</math>), solids or gas/air pumping (<math><15\%</math> air).

## ∞ IMPELLER OPTIONS

The HD-HG-RS range comes with a choice of impeller designs to best fit your application. The open and vortex impeller are suitable for aggressive liquids with suspended solids and / or high viscosities.

The vortex model features a recessed impeller, capable of pumping solids up to 60% of the size of the discharge port. The closed impeller is suitable for clean liquids or liquids containing a small amount of solids in suspension.

## ∞ FLEXIBILITY

The modular design of the HD-HG-RS range makes the pump completely flexible to your business requirements. The standard seal chamber can fit any seal type, brand or arrangement. So with very little adjustment, the pump can be modified to meet any future changing plant requirements quickly and economically.

## ∞ MODULAR DESIGN

Reduce operational and maintenance costs the addition of a wear plate reduces the cost of maintenance because it allows the user to replace just the wear plate instead of the entire pump casing. The flexible pump casing can fit all sized impellers from open to closed, so with little adjustment, it can be modified to new plant or process requirements.



**2 YEAR  
WARRANTY**



**ATEX ZONE 1/2  
CERTIFIED**



**HIGH  
EFFICIENCY**



**FLEXIBLE TO  
DESIGN SPEC**



**CORROSION  
RESISTANCE**



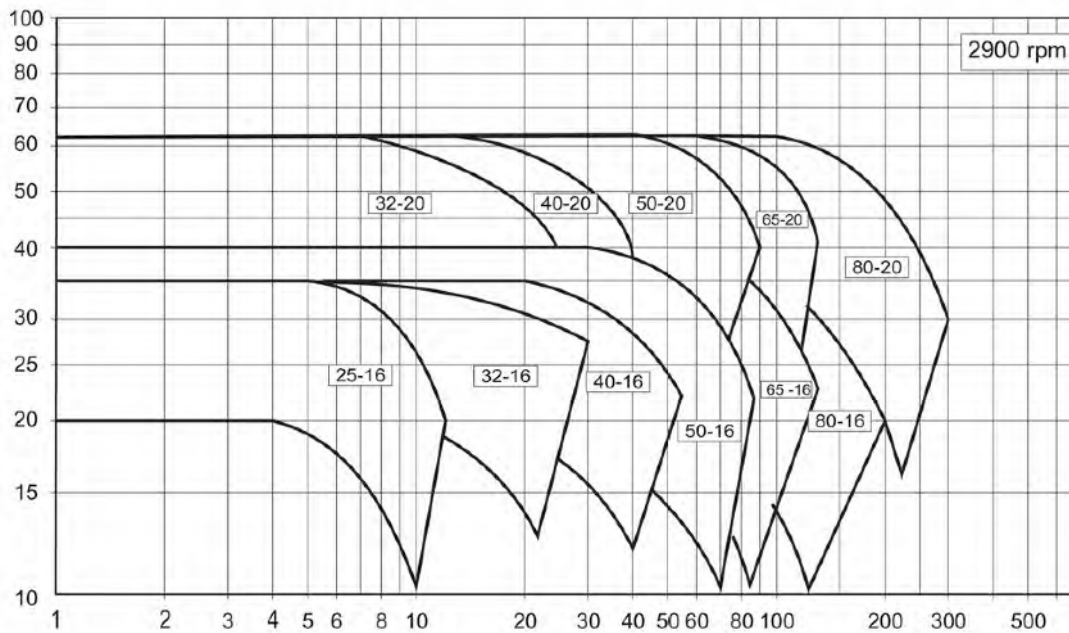
**CHOICE OF  
MATERIALS**

# HD-HG-RS PUMP RANGE

HORIZONTAL END SUCTION, **MECHANICALLY SEALED**, CENTRIFUGAL PUMPS

## PUMP RANGE CURVES

Pump curves for the HD-HG-RS Stainless steel Mechanical Seal Pumps



## TECHNICAL SPECIFICATION

MODEL	SUCTION / DISCHARGE (mm*mm)	SPEED (rpm)	RATED CAPACITY (m <sup>3</sup> /hr)	RATED HEAD (m)	MAX CAPACITY (m <sup>3</sup> /hr)	MAX HEAD (m)	MOTOR OUTPUT (Kw)	BEST EFFICIENCY (%)
<b>40-25-160</b>	40*25	2900	9	32	13	37	2.2	44
<b>40-25-185</b>	40*25	2900	11	41	13	45	3	40
<b>50-32-160</b>	50*32	2900	25	31	50	37	4	64
<b>65-40-160</b>	65*40	2900	43	29	55	38	5.5	68
<b>80-50-160</b>	80*50	2900	64	31	90	40	11	70
<b>80-50-200</b>	80*50	2900	66	50	90	60	15	79
<b>100-65-160</b>	100*65	2900	105	53	150	65	22	79
<b>100-65-200</b>	100*65	2900	84	32	120	40	15	80
<b>128-80-160</b>	125*80	2900	130	31	180	40	18.5	78
<b>125-80-200</b>	125*80	2900	170	52	300	61	37	78

# HD-HG-RS PUMP RANGE

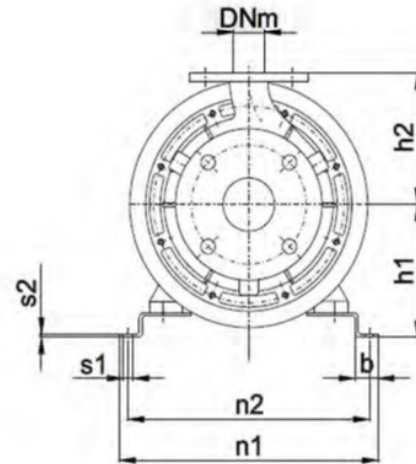
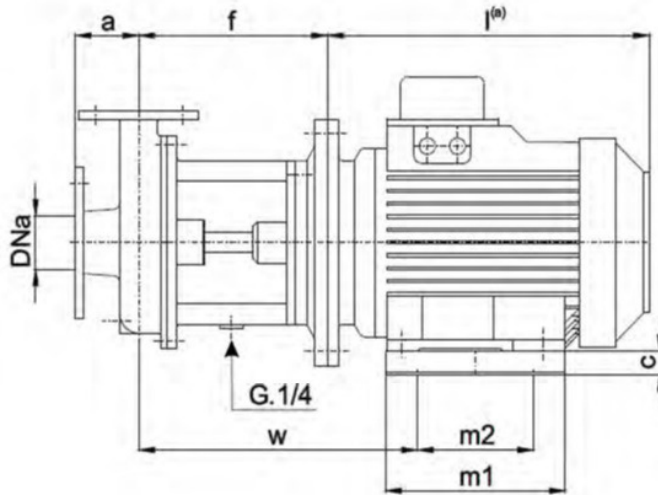
HORIZONTAL END SUCTION, **MECHANICALLY SEALED**, CENTRIFUGAL PUMPS

## ∞ RANGE DIMENSIONS

For specific 3D CAD drawings or specific pump dimensions, please contact us at [info@crestpumps.co.uk](mailto:info@crestpumps.co.uk) or telephone +44 (0)1425 627700.

### NOTE:

1. The total length and weight of the pump will differ depending on the brand of the motor.
2. All dimensions are in mm.
3. Assembly tolerances are +/- 3mm.



\*\* please see next page for Dimensions Table

## ∞ MODULAR DESIGN

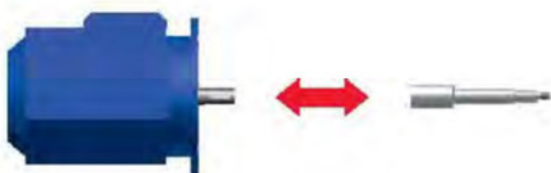


Reduce operational and maintenance costs.

The addition of a wear plate reduces the cost of maintenance because it allows the user to replace just the wear plate instead of the entire pump casing.



The flexible pump casing can fit all sized impellers from open to closed, so with little adjustment it can be modified to new plant or process requirements.



B35 IEC motors are fitted as standard. Any brand or make can be installed to your requirements.

# HD-HG-RS PUMP RANGE

HORIZONTAL END SUCTION, **MECHANICALLY SEALED**, CENTRIFUGAL PUMPS

## DIMENSIONS TABLE

PUMP SIZE	ELECTRIC MOTOR UNEL -MEC	DIMENSIONS (mm)															Weight (kg)
		PUMPS						FEET									
		DN <sub>a</sub>	DN <sub>m</sub>	a	f	h <sub>1</sub>	h <sub>2</sub>	b	c	m <sub>1</sub>	m <sub>2</sub>	n <sub>1</sub>	n <sub>2</sub>	s <sub>1</sub>	s <sub>2</sub>	w	
40-25-160	80	40	25	60	187	155	147	23	75	300	220	203	183	10	3	177	15
	90	"	"	"	187	165	"	23	75	300	220	218	198	10	3	183	15
	100	"	"	"	207	155	"	25	55	280	200	240	218	12	3	240	21
	112	"	"	"	207	167	"	25	55	280	200	270	245	12	3	247	21
50-32-160	80	50	32	80	194	155	160	23	75	300	220	203	183	10	3	184	18
	90	"	"	"	194	165	"	23	75	300	220	218	198	10	3	190	18
	100	"	"	"	214	155	"	25	55	280	200	240	218	12	3	247	24
	112	"	"	"	214	167	"	25	55	280	200	270	245	12	3	254	24
	132	"	"	"	234	162	"	29	30	340	220	326	304	14	4	283	24
50-32-200	SEE 50-32-200																
65-40-160	80	65	40	80	198	155	160	23	75	300	220	203	183	10	3	188	20
	90	"	"	"	198	165	"	23	75	300	220	218	198	10	3	194	20
	100	"	"	"	218	155	"	25	55	280	200	240	218	12	3	251	26
	112	"	"	"	218	167	"	25	55	280	200	270	245	12	3	258	26
	132	"	"	"	238	162	"	29	30	340	220	326	304	14	4	287	26
65-40-200	SEE 65-40-200																
80-50-160	80	80	50	100	203	155	180	23	75	300	220	203	183	10	3	193	21
	90	"	"	"	203	165	"	23	75	300	220	218	198	10	3	199	21
	100	"	"	"	223	155	"	25	55	280	200	240	218	12	3	256	27
	112	"	"	"	223	167	"	25	55	280	200	270	245	12	3	263	27
	132	"	"	"	243	162	"	29	30	340	220	326	304	14	4	292	27
	160	"	"	"	273	210	"	45	50	500	350	404	364	15	5	311	32
80-50-200	80	80	50	100	221	155	200	23	75	300	220	203	183	10	3	211	27
	90	"	"	"	221	165	"	23	75	300	220	218	198	10	3	217	27
	100	"	"	"	238	155	"	25	55	280	200	240	218	12	3	271	33
	112	"	"	"	238	167	"	25	55	280	200	270	245	12	3	281	33
	132	"	"	"	261	162	"	29	30	340	220	326	304	14	4	310	33
	160	"	"	"	261	210	"	45	50	500	350	404	364	15	5	329	41
100-65-160	80	100	65	100	230	155	200	23	75	300	220	203	183	10	3	220	29
	90	"	"	"	230	165	"	23	75	300	220	218	198	10	3	225	29
	100	"	"	"	250	155	"	25	55	280	200	240	218	12	3	282	35
	112	"	"	"	250	167	"	25	55	280	200	270	245	12	3	290	35
	132	"	"	"	270	162	"	29	30	340	220	326	304	14	4	318	35
	160	"	"	"	300	210	"	45	50	500	350	404	364	15	5	338	43
100-65-200	90	100	65	100	229	190	225	30	100	370	220	234	207	12	3	225	35
	100	"	"	"	249	200	"	30	100	370	220	234	227	12	3	272	41
	112	"	"	"	249	212	"	30	100	370	220	284	257	12	3	279	41
	132	"	"	"	269	212	"	31	80	400	300	325	298	12	3	278	41
	160	"	"	"	299	210	"	45	50	500	350	404	364	15	4	337	49
	180	"	"	"	299	230	"	45	50	500	350	429	389	15	5	365	49
125-80-160	90	125	80	125	236	190	225	30	100	370	220	234	207	12	3	232	37
	100	"	"	"	256	200	"	30	100	370	220	234	227	12	3	279	43
	112	"	"	"	256	212	"	30	100	370	220	284	257	12	3	286	43
	132	"	"	"	276	212	"	31	80	400	300	325	298	12	3	285	43
	160	"	"	"	306	210	"	45	50	500	350	404	364	15	4	344	51
	180	"	"	"	306	230	"	45	50	500	350	429	389	15	5	372	51
125-80-200	90	125	80	125	236	190	250	30	100	370	220	234	207	12	3	232	40
	100	"	"	"	256	200	"	30	100	370	220	234	227	12	3	279	46
	112	"	"	"	256	212	"	30	100	370	220	284	257	12	3	286	46
	132	"	"	"	276	212	"	31	80	400	300	325	298	12	3	285	46
	160	"	"	"	306	210	"	45	50	500	350	404	364	15	4	344	54
	180	"	"	"	306	230	"	45	50	500	350	429	389	15	5	372	54

# HD-HG-RS PUMP RANGE

HORIZONTAL END SUCTION, **MECHANICALLY SEALED**, CENTRIFUGAL PUMPS

## CASE STUDY - AKZONOBEL

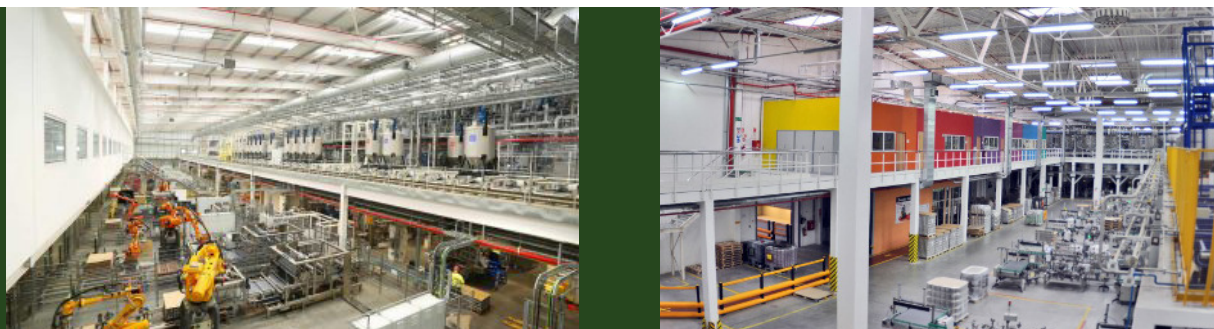
**“AkzoNobel were able to reduce electricity costs by 26% switching from a competitor pump to Crest’s SHC range.”**



**AkzoNobel**

Akzo Nobel is a specialist chemicals and paint company with an international presence in over 80 countries in the world. Akzo Nobel were upgrading particular assets during a planned shutdown and wished to replace some existing pumps that had been prone to leakage. A site survey was carried out by Crest where it was believed that not only could replacement HD-HG-RS pumps be more reliable, but they would also work out to use over 25% less energy.

As a result, Akzo Nobel ordered two horizontal pumps capable of a higher efficiency, combined with ATEX Zone 2 certification and a specific chemical resistant epoxy paint requirement.



## CREST STAINLESS STEEL MECHANICAL SEAL SHC PUMPS - UTILISED BY



## HD-HG-RS PUMP APPLICATIONS



### CHEMICAL

The HD-HG-RS range of Crest Pumps are fully corrosion resistant to a wide variety of applications. They have been successfully in-stalled to support high flow rates, pressures and temperatures, boasting up to 80% efficiency.



### WATER TREATMENT

Waste water and water applications are suited as the rugged design prevents any rust or corrosion. The large flow rate and high heads on the SHL make it the best solution for industrial liquids, waste water or irrigation.



### PHARMACEUTICAL

The HD-HG-RS range with a closed impeller are suitable for clean liquids or small solids. Designed to meet a wide range of industrial standards providing a safe and continuous operation, paramount to a process line.

