

VERTICAL PUMP RANGE

VERTICAL, IMMERSIBLE, CENTRIFUGAL PUMPS



- ∞ CAPACITY <math><500 \text{ M}^3/\text{HR}</math>
- ∞ HEAD <math><150 \text{ Metres}</math>
- ∞ COLUMN LENGTH <math><6 \text{ Metres}</math>
- ∞ HEAVY DUTY DESIGN
- ∞ SOLIDS PUMPING CAPABILITIES
- ∞ VARIOUS IMPELLER OPTIONS
- ∞ 316 STAINLESS STEEL CONSTRUCTION

Part of the
**STAINLESS
STEEL**
Pump Range



∞ VERTICAL OVERVIEW

The vertical range of stainless steel pumps are extremely efficient when pumping harsh and corrosive chemicals that include solids up to 60% of the size of the discharge port – an excellent solution when emptying wastewater sumps.

The Vertical has been built to be very flexible to your design requirements. For example; any length up to 6 meters, 4 different impeller types, 4 bearing and lubrication options and limitless base-plate designs with the discharge pipe positioned to your specification.

∞ FLEXIBILITY

The Vertical range has a choice of 4 different impeller sizes, closed, open, channel and vortex – allowing for large solids to be pumped.

This range boasts an extremely rugged design, capable of handling some of the most corrosive applications in the industry, including but not limited to, acids, caustic applications and wastewater.



**2 YEARS
WARRANTY**



**ATEX ZONE 1/2
CERTIFIED**



**FLEXIBLE TO
DESIGN SPEC**



**CORROSION
RESISTANCE**



**SOLIDS
PUMPING**



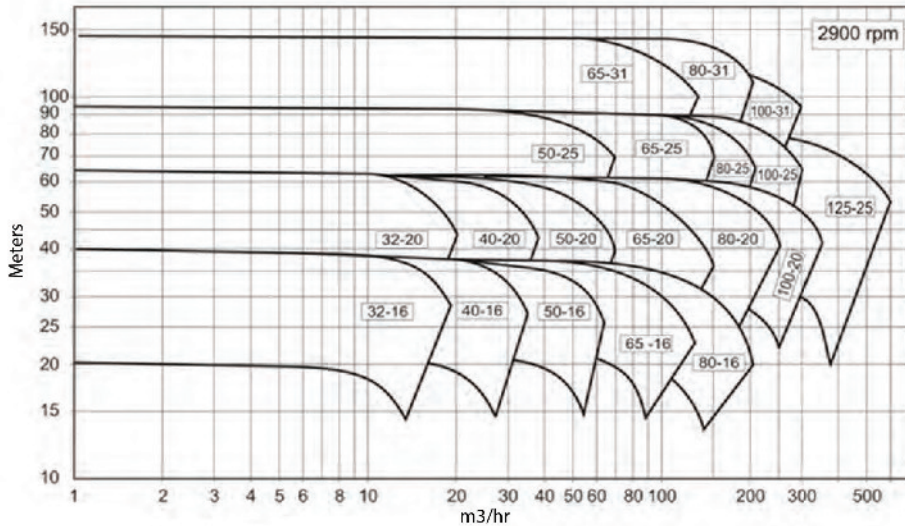
STAINLESS STEEL VERTICAL IMMERSIBLE PUMPS

Tel: +44 (0)1425 627700
Email: info@crestpumps.co.uk
www.crestpumps.co.uk

VERTICAL PUMP RANGE

VERTICAL, IMMERSIBLE, CENTRIFUGAL PUMPS

PUMP RANGE CURVES



TECHNICAL SPECIFICATION

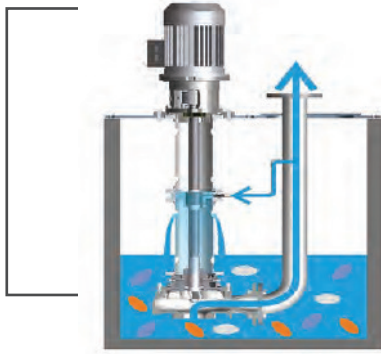
MODEL	SUCTION / DISCHARGE (mm*mm)	SPEED (rpm)	RATED CAPACITY (m ³ /hr)	RATED HEAD (m)	MAX CAPACITY (m ³ /hr)	MAX HEAD (m)	MOTOR OUTPUT (Kw)	BEST EFFICIENCY (%)
50-40-160	50*40	2900	15	34	20	40	4	53
50-40-200	50*40	2900	16	53	18	60	7.5	50
65-50-160	65*50	2900	26	33	40	40	5.5	60
80-65-160	80*65	2900	54	31	70	38	9.2	73
80-65-200	80*65	2900	56	51	70	60	15	66
80-65-250	80*65	2900	54	78	75	100	30	50
100-80-160	100*80	2900	80	31	130	40	15	69
100-80-200	100*80	2900	96	51	140	60	22	71
100-80-250	100*80	2900	96	80	160	94	45	64
100-80-310	100*80	2900	108	124	150	144	75	59
125-100-160	125*100	2900	132	30	180	37	18.5	73
125-100-200	125*100	2900	160	52	270	60	45	77
125-125-250	125*125	2900	240	78	370	92	90	74
125-125-310	125*125	2900	240	128	320	144	160	73
125-125-400	125*125	1450	170	53	220	60	45	68
150-150-250	150*150	2900	440	78	560	94	160	85
150-150-310	150*150	1450	210	30	300	35	30	76
150-150-400	150*150	1450	220	54	290	58	55	71
200-200-310	200*200	1450	420	26	640	33	45	79
200-200-350	200*200	1450	430	38	680	46	75	81
250-250-350	250*205	1450	640	33	1050	43	90	79
300-300-300	300*300	1450	920	31	1350	40	110	79

VERTICAL PUMP RANGE

VERTICAL, IMMERSIBLE, CENTRIFUGAL PUMPS

VERTICAL PUMP RANGE APPLICATIONS

The Vertical range is designed around being completely flexible to your business needs. Any column length up to 6 meters, 4 different impeller types, 4 bearing and lubrications options and limitless baseplate designs with the discharge pipe positions to your specification.

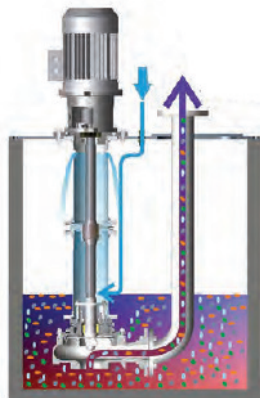
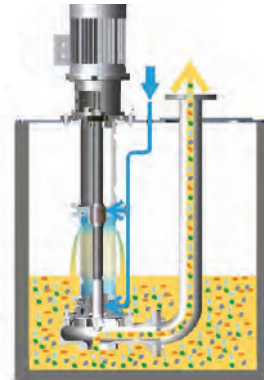


(A Execution) Lubrication with the pumped liquid

Single bearing bush at the bottom: the liquid can contain solids, but they cannot be abrasive.

(B Execution) Lubrication by externally flushing liquid

For dirty, abrasive or sticky liquids. Bearing bushes are lubricated with clean liquid. This solution allows the user to pump solids without liquid in the sump or tail pipe.

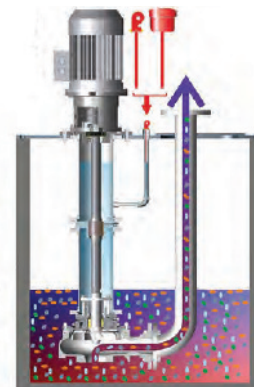


(C Execution) Lubrication by auxiliary liquid into the column

A mechanical seal is placed between the casing and the column. Before start up it must be filled with clean water and then flushed throughout the day.

(D Execution) Lubrication into the column

For aggressive liquids containing solids. A mechanical seal is placed between the casing and the column, which is used as a tank. Before start-up, this must be filled with anti-freeze solution. The level can be controlled by a flow switch or level control.



VERTICAL PUMP RANGE

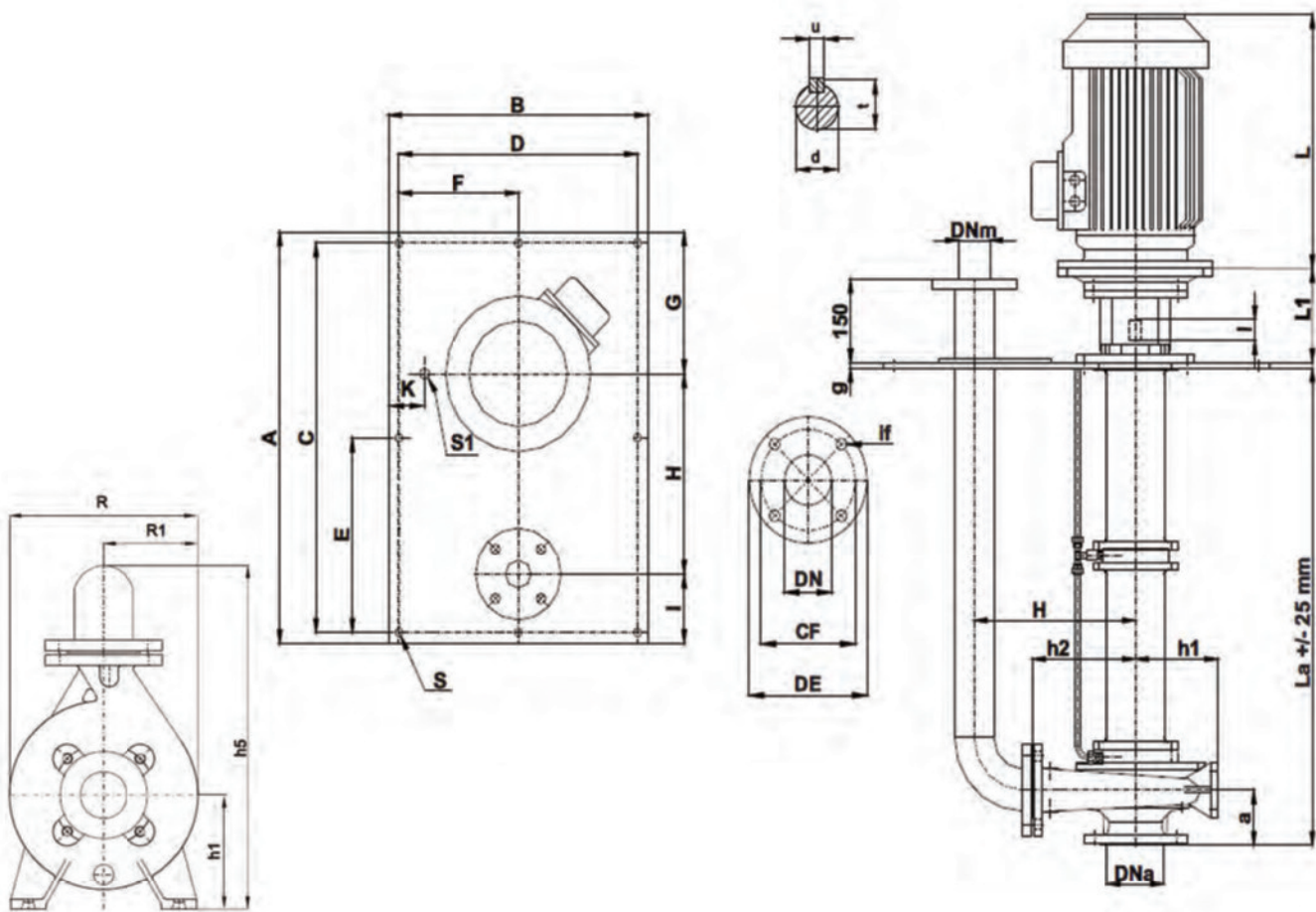
VERTICAL, IMMERSIBLE, CENTRIFUGAL PUMPS

∞ RANGE DIMENSIONS

Model depicts a Vortex Impeller. For open and closed model dimensions, please contact us at info@crestpumps.co.uk or telephone +44 (0)1425 627700.

NOTE:

1. Dimensions and weights are subject to variations.
2. Not binding dimensions that can change according to motor brand.
3. Weight without electric motor. Weights referred to 1m length pumps.
(LA = Length on request (tolerance +/-25mm))



** please see next page for Dimensions Table

VERTICAL PUMP RANGE

DIMENSIONS TABLE



PUMP SIZE	GROUP	DIMENSIONS (mm)																				Weight (kg)									
		Pump					Shaft					Plate																			
		2P	4P	6P	DNa	DNm	a	h1	h2	d	l	f	u	A	B	C	D	E	F	G	H		I	S	g	h5	R	R1	K	ES-.B/C	ES.E
50-40-160	1	1	1	1	50	40	48	132	160	22	38	24.5	6	740	500	700	460	350	230	255	235	250	15	10	391	240	120	86	G1/2	G3/4	81
50-40-200	1	1	1	1	50	40	48	160	180	22	38	24.5	6	740	500	700	460	350	230	255	255	230	15	10	437	268	120	86	G1/2	G3/4	89
65-65-160	1	1	1	1	65	65	55	160	180	22	38	24.5	6	740	500	700	460	350	230	255	294	191	15	10	492	265	133	86	G1/2	G3/4	87
65-65-200	1	1	1	1	65	65	55	160	200	22	38	24.5	6	740	500	700	460	350	230	255	314	171	15	10	512	285	133	86	G1/2	G3/4	93
65-65-250	2	2	2	2	65	65	55	180	225	32	62	35	10	990	600	940	550	470	275	320	339	331	19	12	557	320	160	117	G1/2	G3/4	143
80-80-200	2	2	2	2	80	80	66	180	225	32	62	35	10	990	600	940	550	470	275	320	359	313	19	12	582	320	160	117	G1/2	G3/4	142
100-100-200	2	2	2	2	100	100	70	180	250	32	62	35	10	990	600	940	550	470	275	320	422	248	19	12	659	345	173	117	G1/2	G3/4	147
100-100-250	2	2	2	2	100	100	75	225	280	32	62	35	10	990	600	940	550	470	275	320	452	218	19	12	734	400	200	117	G1/2	G3/4	165
100-100-310	-	3	-	-	100	100	90	250	315	42	89	45	12	1250	830	1090	770	595	385	410	487	353	24	15	794	433	200	232	G1/2	G3/4	313
125-125-250	-	-	2/3	-	100	100	90	250	315	32	62	35	10	1250	830	1090	770	595	385	410	487	353	24	15	794	433	200	232	G1/2	G3/4	291
150-150-250	-	2	2	-	125	125	90	225	280	32	62	35	10	1250	830	1090	770	595	385	410	492	348	24	15	787	416	200	232	G1/2	G3/4	257
150-150-310	-	2	2	-	150	150	112	250	355	32	62	35	10	1250	830	1090	770	595	385	410	606	232	24	15	942	462	200	232	G1/2	G3/4	284
200-200-310	-	3	-	-	150	150	112	280	355	42	89	45	12	1250	830	1090	770	595	385	410	606	232	24	15	972	506	250	232	G1/2	G3/4	341
200-200-350	-	4	4	-	150	150	112	280	355	32	62	35	10	1250	830	1090	770	595	385	410	606	232	24	15	972	506	250	232	G1/2	G3/4	318
250-250-350	-	4	4	-	200	200	120	315	400	42	89	45	12	1250	830	1090	770	595	385	410	647	193	24	15	1072	590	275	232	G1/2	G3/4	383
300-300-350	-	4	4	-	200	200	120	315	400	32	62	35	10	1250	830	1090	770	595	385	410	647	193	24	15	1072	590	275	232	G1/2	G3/4	360
250-250-350	-	4	4	-	250	250	250	355	450	55	92	59	16	1250	750	990	690	595	345	415	655	180	24	15	1080	575	275	142	G1/2	G3/4	456
300-300-350	-	4	4	-	300	300	300	355	500	55	92	59	16	1600	900	1550	850	775	425	443	857	300	24	15	1349	627	275	217	G1/2	G3/4	577
300-300-350	-	4	4	-	300	300	300	355	500	55	92	59	16	1600	900	1550	850	775	425	443	905	252	24	15	1422	719	345	217	G1/2	G3/4	642

VERTICAL PUMP RANGE

VERTICAL, IMMERSIBLE, CENTRIFUGAL PUMPS

∞ CASE STUDY - MVV ENVIRONMENT

“Generating usable power from a renewable source is an integral part of a new and sustainable energy supply. One way to produce environmentally friendly energy is using old and waste wood as fuel to generate electricity and usable heat”



At Ridham Dock, MVV commissioned a highly modern and very efficient, combined heat and power (CHP) biomass power plant. CHP means the simultaneous production of electrical energy and usable heat. The heat energy from the CHP process is typically used in district heating systems and/or as process steam for industrial purposes. CHP uses a very high degree of the energy content of the fuel. The Ridham Dock plant, MVV will use about 172,000 tonnes of waste wood per year to generate almost 188 million kilowatt-hours of electrical energy. The plant has a net electrical capacity of 23 megawatts.

Crest Pumps provided its Vertical pumps made from stainless steel construction - ensuring maximum corrosion resistance and capable of processing high temperature liquids at 85% efficiency. The pumps provided to MVV are manufactured with a vortex impeller, allowing for a high concentration of solid transfer.



∞ CREST STAINLESS STEEL VERTICAL PUMPS - UTILISED BY



∞ VERTICAL PUMP APPLICATIONS



CHEMICAL

The Vertical range of Crest Pumps are fully corrosion resistant making the pumps ideal in a chemical environment.

Supporting high temperatures at 85% efficiency, this range can handle near all types of sump emptying applications. The SVB also features customisable base-plate shapes and dimensions, making replacing an existing pump easy. The range is ATEX compliant.



WATER TREATMENT

By allowing solids up to 60% of the discharge port size, the Vertical pump is an ideal choice for the water and waste water industry. The Vortex impeller option also allows filamentous solid transfer whilst still operating at 85% efficiency.

The stainless steel construction also ensures maximum corrosion resistance. All pumps can be supplied with a suction strainer and tail pipe.



STAINLESS STEEL VERTICAL IMMERSIBLE PUMPS

Tel: +44 (0)1425 627700
Email: info@crestpumps.co.uk
www.crestpumps.co.uk